



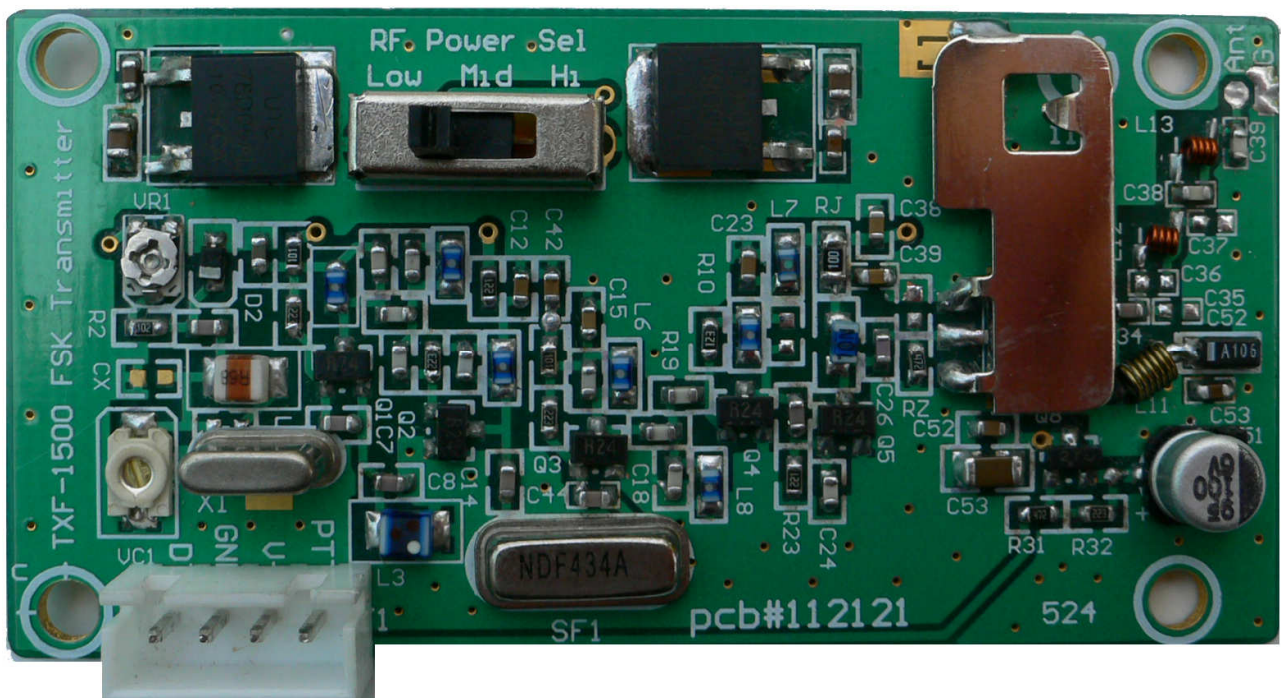
Technical Data

Data Transmitter Modules

UHF Band Exciter and Transmitter

1.5W for 420MHz - 470MHz,

0.4W for 868MHz – 935MHz.



Main Function

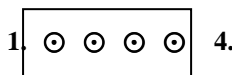
- FM/FSK Modulation
- 1 channel crystal controller
- RF power output 0.5W,1W or 1.5W select.
- Wide operational frequency range
- Any 2 level data formats
- Data rate up to 6.4Kbps.
- Wide operation temperature from -20°C -- +70°C
- Small Size: 68mm X 25mm X12mm
- Option for BNC jack with cable
- Option for SMA jack with cable

-Specification-

Description	TXF-1500	
Frequency Range	420-470M	868-935mHz
Frequency stability	10 ppm Typ. at 25°C .	
Crystal type	UM-5	
Channel spacing	12.5Khz or 25Khz.	
Data Rate	From 300bps up to 6.4Kbps. (deviation 4.5K).	
Modulation	Direct FM/FSK.	
Deviation	Typ 4.5K Max 5KHz.(Adjustable).	
Spurious and Harmonics	-55dBm.	
Harmonic distortion	<2.5% maximum at 1200 bps.	
RF Power output (Switchable)	Low.0.5W, Mid.1W, Hi.1.5W	Low.0.2W, Mid.0.3W, Hi.0.4W
Duty Cycle at 25°C by 12V	100% at 0.5W 70% at 1W 60% at 1.5 W	100% at 0.2W 90% at 0.3W 80% at 0.4 W
FM Noise	>50dB 4.5K deviation	
Antenna Impedance	50Ω	
Transmitter attack time	<5mS for within 6K bps operation speed	
RF Output Jack	Option BNC Female +11CM RG174A/U cable Option. SMA Female + 11CM RG174A/U cable	
Power Supply	DC 12V. (10V-13.8V).	
Temperature	-20°C — +70°C	
Current Drain	0.4A (Max)	
Module Size	68mm X 25mm X 12mm	
Weight. (with BNC Jack)	12 grams.	

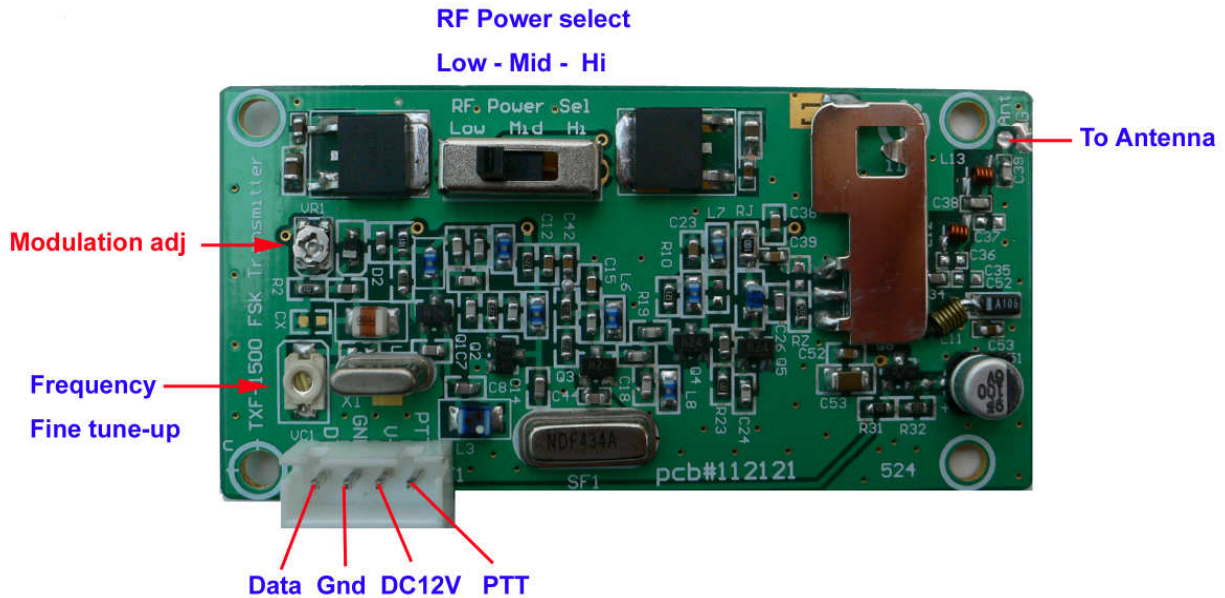
I/O Connector

2.54 mm Pin Header 4Pin



- 1. Data Input
- 2. GND
- 3. V+ 12V
- 4. PTT (low for active)

Application I/O and Adjustment



J1 Main I/O

Pin 1 data input (must check the data phase to meet receivers)

Pin 2 GND

Pin 3 V+ DC 12V

Pin 4 PTT (Low for TX active)

VR1 for FM modulation adjustment

VC1 for Transmitter Frequency Fine Tune-up

Switch1 for RF power output select, Low for 0.5W, Mid for 1W, Hi for 1.5W.

Wireless Devices Inc. reserves the right to change the product described in this datasheet. All information contained in this datasheet is subject to change without prior notice. Wireless Devices Inc. assumes no responsibility for the use of any circuits shown in this datasheet.